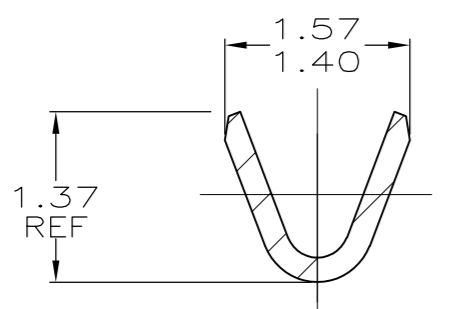
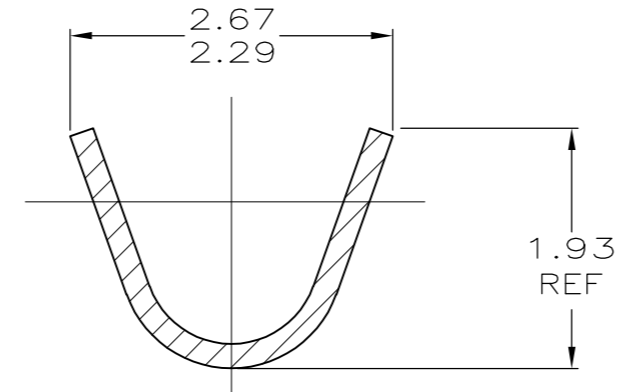


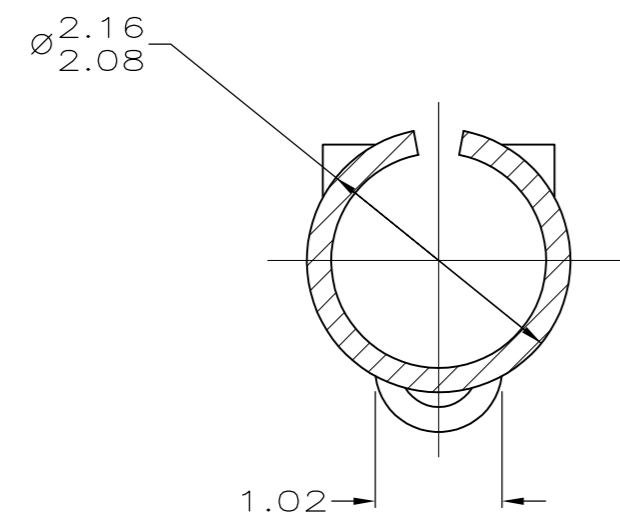
LOC		DIST		REVISIONS			
P	LT	DESCRIPTION	DATE	OWN	APVD		
CM	53	R1	REVISED PER ECO-11-004917	11MAR11	RK	HMR	



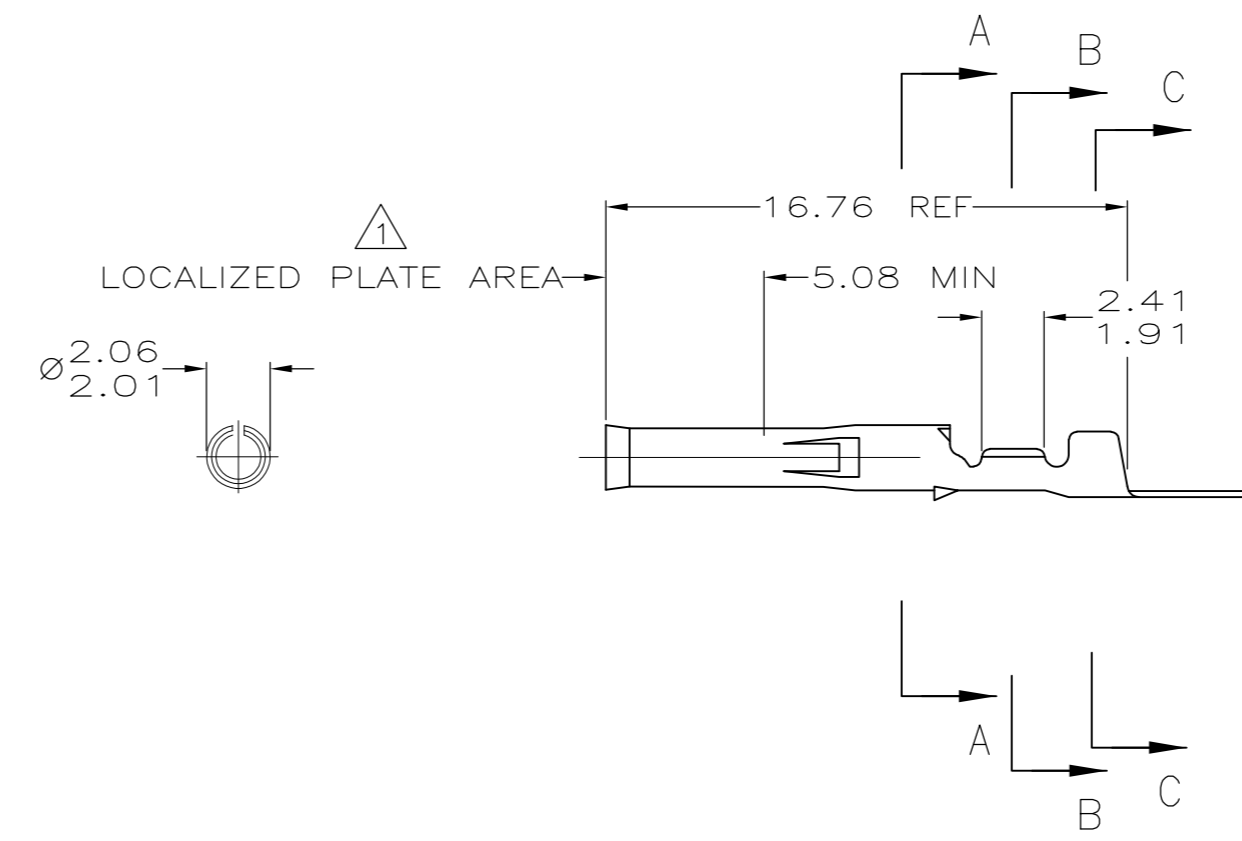
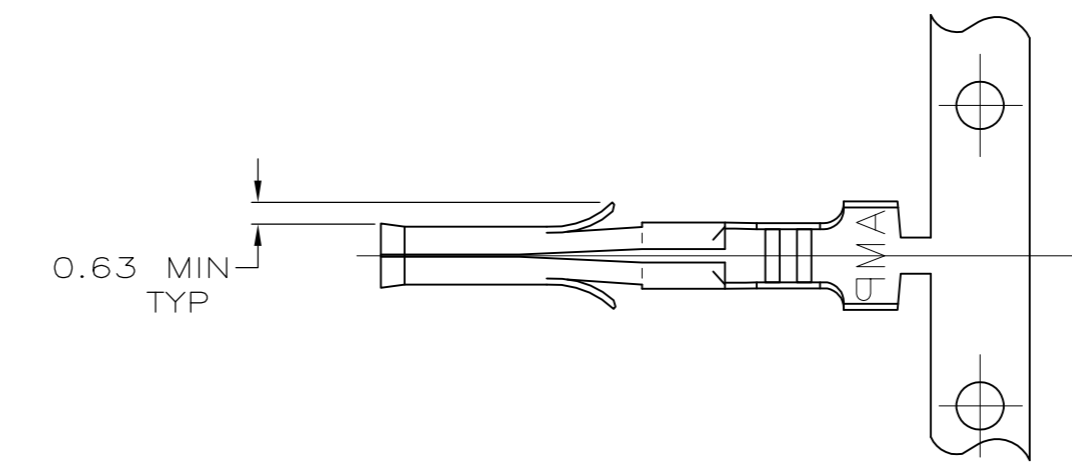
SECTION B-B
SCALE 20:1



SECTION C-C
SCALE 20:1



SECTION A-A
SCALE 20:1

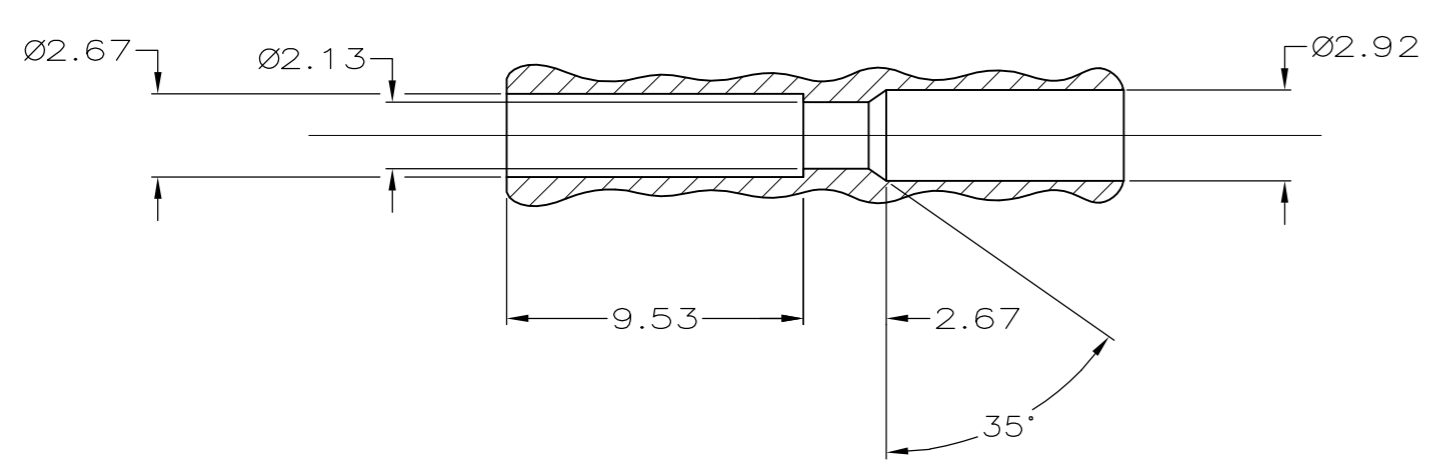


△ 0.0013 MIN NICKEL OVER ENTIRE RECEPTACLE WITH 0.0008 MIN GOLD INSIDE RECEPTACLE IN LOCALIZED PLATE AREA.

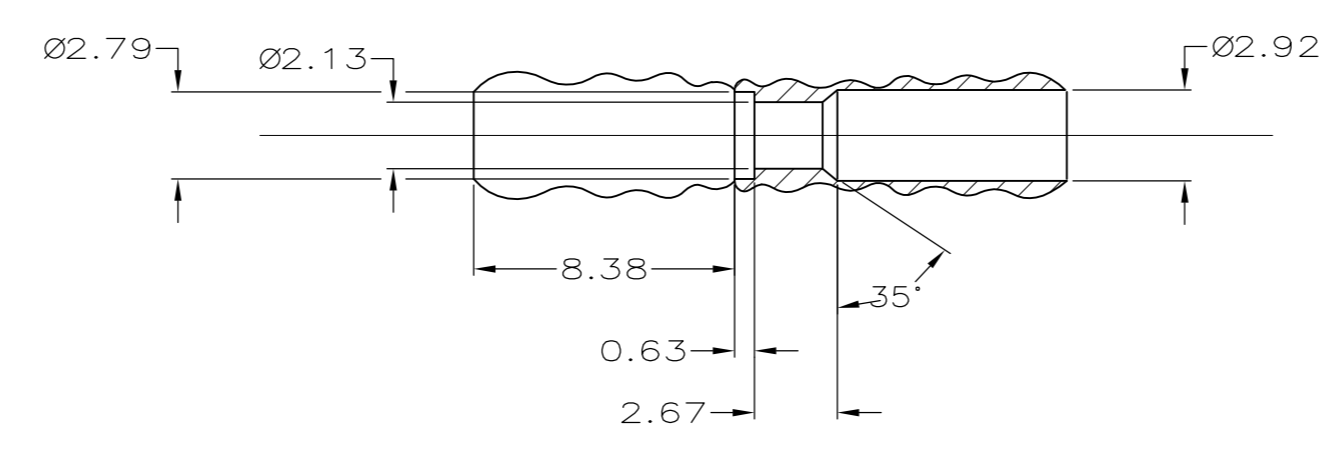
2. EITHER CAVITY WILL ACCEPT RECEPTACLE 350628,640392 OR PIN 350629,640391.

IN	MM
.660	16.76
.375	9.53
.330	8.38
.200	5.08
.115	2.92
.110	2.79
.105	2.67
.095	2.41
.090	2.29
.085	2.16
.084	2.13
.082	2.08
.081	2.06
.079	2.01
.076	1.93
.075	1.91
.062	1.57
.060	1.52
.055	1.40
.054	1.37
.040	1.02
.025	0.63
.008	0.20
.005	0.13
.000050	0.0013
.000030	0.0008
IN	MM

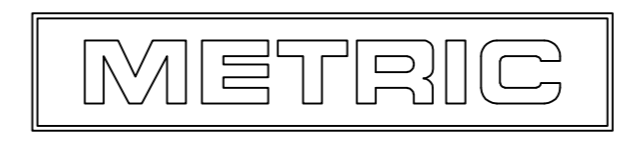
CONVERSION TABLE



TYPICAL RECEPTACLE CAVITY SECTION
REFERENCE



TYPICAL PLUG CAVITY SECTION
REFERENCE



△	0.20 BRASS	1.52 MAX	30-24	640392-5
PRE-TIN	0.20 PH.BRZ.	1.52 MAX	30-24	640392-2
PRE-TIN	0.20 BRASS	1.52 MAX	30-24	640392-1
FINISH	MATERIAL	INSULATION DIAMETER	WIRE RANGE	PART NO
THIS DRAWING IS A CONTROLLED DOCUMENT.				
DIMENSIONS: mm(INCHES)		TOLERANCES UNLESS OTHERWISE SPECIFIED:		
0 PLC	±	—	—	—
1 PLC	±	—	—	—
2 PLC	±	—	—	—
3 PLC	±	0.13	—	—
4 PLC	±	—	—	—
ANGLES:	±	0° 30'	—	—
MATERIAL SEE TABLE		FINISH SEE TABLE		WEIGHT —
SIZE A1		CAGE CODE 00779	DRAWING NO C-640392	RESTRICTED TO —
CUSTOMER DRAWING		SCALE 5:1	SHEET 1 OF 1	REV R1

A/C BUSINESS GROUP 3323 177-34 RALPH VESTAL